

FOR LEASE

Thompson Plaza

Unit 203

2201 Thompson
Richmond, TX 77469

Bldg SF: 2,200
Rent: \$19.00 SF/Yr
NNN: \$9.00 SF/Yr



Property Overview

Discover how your business can prosper at THOMPSON PLAZA SHOPPING CENTER. A growing neighborhood close to I-69 and 2 master planned communities-Veranda and Del Webb. This incredibly unique site is an exclusive opportunity for business owners, franchisees, and corporations to seize a position close to affluent neighborhoods of Richmond, Texas. Richmond witnessed rapid population growth over the past few years, a trend that will continue with further area development. Tenants will get the added benefit of a growing local population and lower market rents vs new shopping centers. In addition, the household income within a 1-mile radius is over \$98,000, making the area affluent and ready to welcome thriving new businesses. Set your business up for long-term success in an area full of potential and growth.

The center could be the retail and service destination for the surrounding new master planned communities that are 5 minutes away!





Highlights

- Household income within a 1-mile radius is over \$98,000, making the area affluent and ready to welcome thriving new businesses.
- It is the only Community Centre in the intersection of Golfview Drive and FM 762
- Can easily be repurposed for other retail business
- Access to Pylon Sign & Signage for the front of building.
- Strong Demographics with close proximity to Highway 59, 5 minutes away from I-69, and close to major retailers.

Thompson Plaza

UNIT 203

Zoning: SY
Year Built: 2014
Parking: 50+ spaces
Building SF: 10,692
Center Type: Neighborhood



Available Area
2,200 SF
\$19.00 SF/YR
NNN: \$9.00 SF/ YR
THE AVAILABLE AREA
CAN BE SUBDIVIDED

Thompson Plaza Business locator

Unit 203

Unit 203 is a prime commercial space ideal for retail, office, or other business needs. With a spacious layout, excellent visibility, and high foot traffic, it's perfect for creating a professional presence.

Amenities:

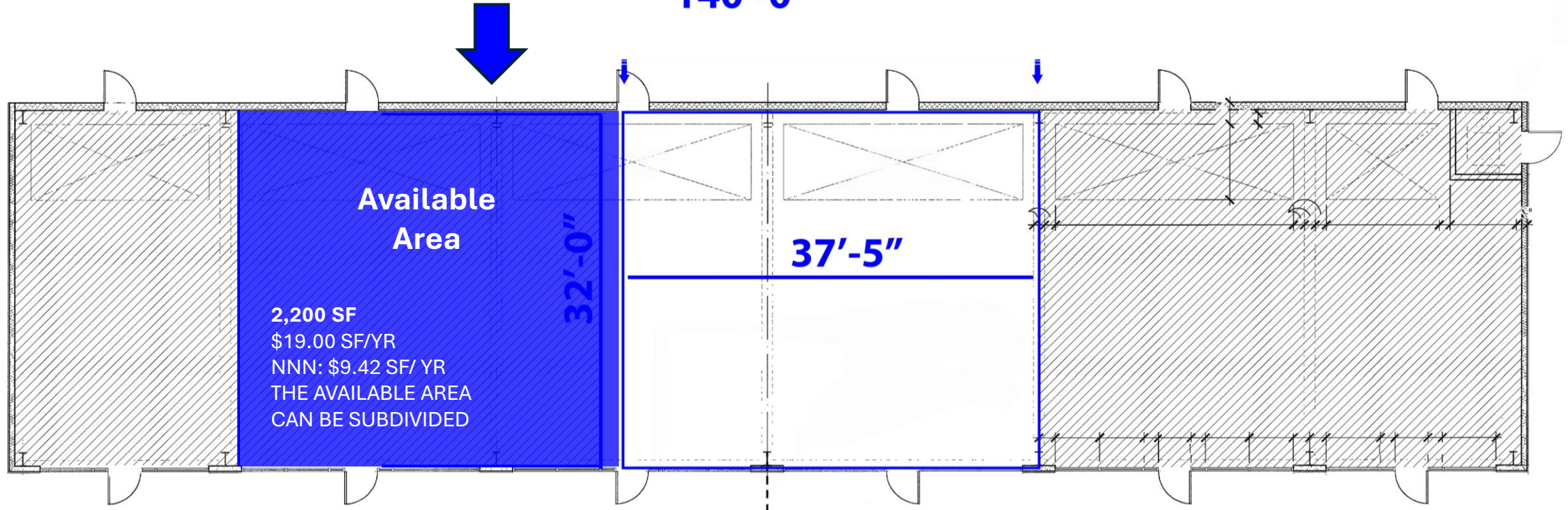
- Air Conditioning
- Central Heating
- High Ceilings
- Private Restroom
- Emergency Lighting



Unit #203 Floor Plan

Front

140'-0"



2 BLDG. B - FLOOR PLAN
1/8"=1'-0"

Back



Golfview Drive
Golfview Drive

Thompson RD
(FM 762)

FM 762

Interconnected to Major Exit and Entry Routes:
-Via Golfview Drive
-Via FM 762

Potential Play Area

Available 2,200 sq ft

GOLFVIEW DR

2203 THOMPSON RD

2204 THOMPSON RD

1111 GOLFVIEW DR

GOLFVIEW DR

2201 THOMPSON RD

2119 THOMPSON RD

1106 GOLFVIEW DR

2115 THOMPSON RD

Pylon Sign & Signage



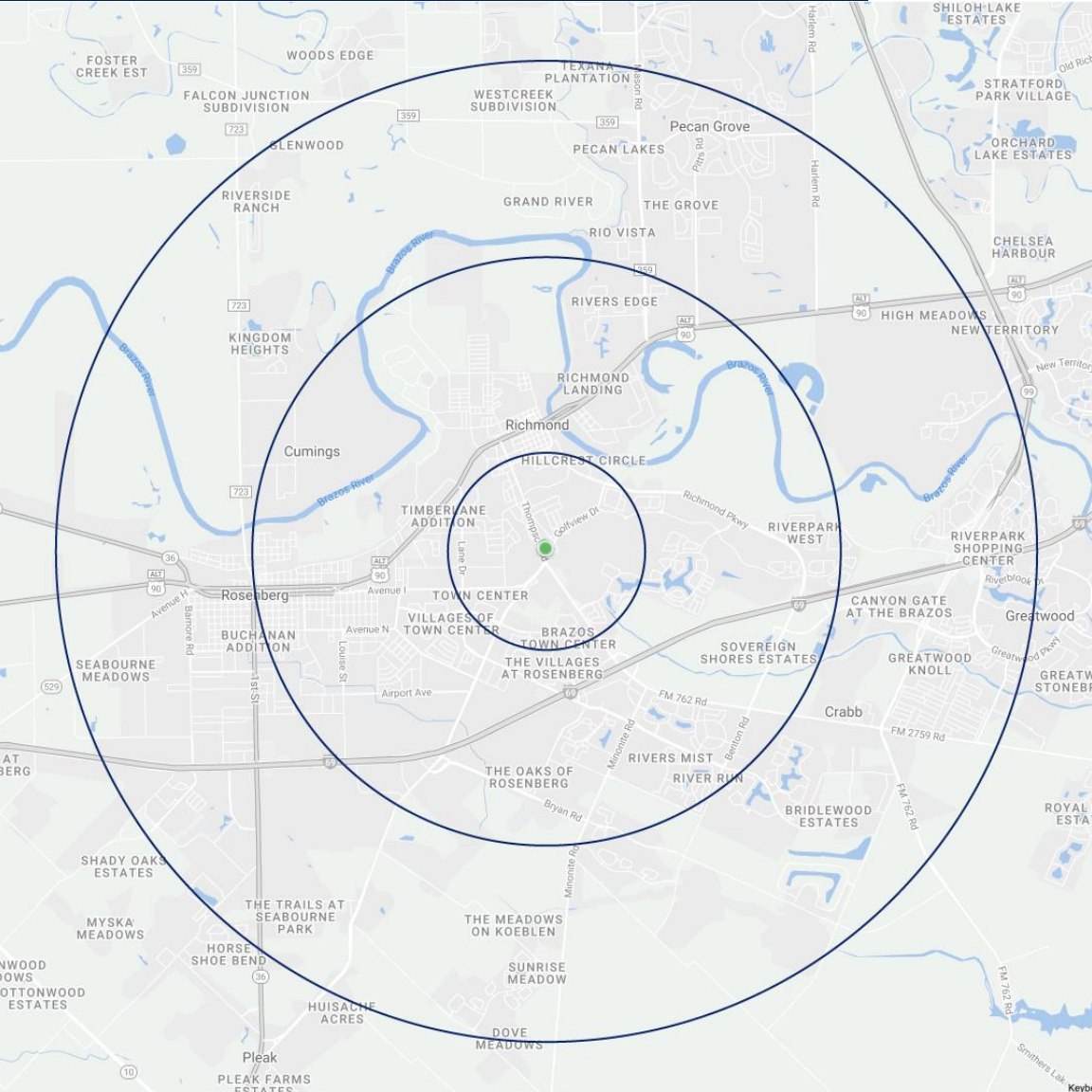
Other tenants





Demographics

Project Demographics



3%
POPULATION
GROWTH WITHIN
3 MILES

FROM 2022 TO 2027



\$98K
AVERAGE
HOUSEHOLD
INCOME

WITHIN 1 MILE

STEADY RESIDENTIAL GROWTH

50,412 FUTURE HOUSEHOLDS
2.54% HOUSEHOLD GROWTH | 2022-2027

ESRI Estimates Within 5-Miles as of 2022-2027



MAJOR AREA RETAILERS within 5 miles

Location Facts & Demographics

Demographics are determined by a 10 minute drive from 2201 Thompson, Richmond, TX 77469

CITY, STATE

Richmond, TX

POPULATION

72,148

AVG. HH SIZE

3.03

MEDIAN HH INCOME

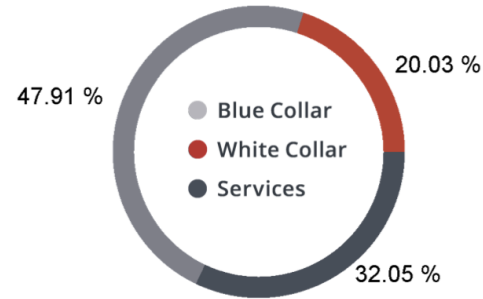
\$72,962

HOME OWNERSHIP

Renters: **8,439**

Owners: **14,943**

EMPLOYMENT



44.92 %
Employed

1.37 %
Unemployed

EDUCATION

High School Grad: **23.29 %**

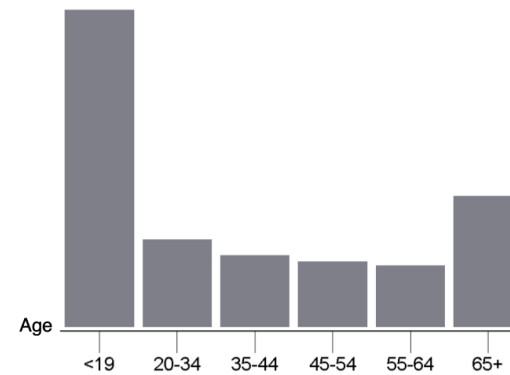
Some College: **19.64 %**

Associates: **4.30 %**

Bachelors: **31.98 %**

GENDER & AGE

50.75 % 49.25 %



RACE & ETHNICITY

White: **40.90 %**

Asian: **2.62 %**

Native American: **0.16 %**

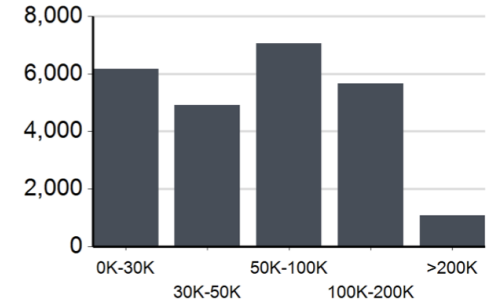
Pacific Islanders: **0.00 %**

African-American: **13.49 %**

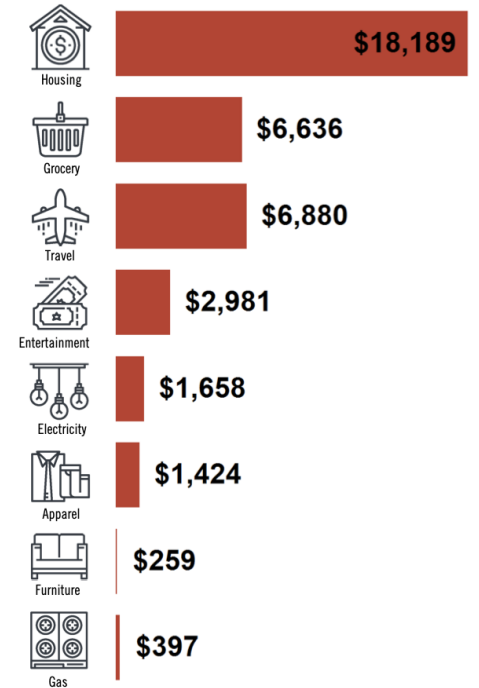
Hispanic: **32.88 %**

Two or More Races: **9.96 %**

INCOME BY HOUSEHOLD



HH SPENDING



Thompson Plaza

Nearby Retail



Thompson Plaza Nearby Retail



Contact me
for your private tour!

Rachel Gonzalez-Dunham, CCIM



Ph. 832-437-0471

Cell: 832-216-8524

rachel@rachelinvest.com

www.kcgGroupExp.com



REAL ESTATE BUSINESS EXPERT

Let's Meet Our Broker Associate

"As a dedicated professional in the dynamic world of real estate, I have cultivated a career grounded in continuous learning, goal setting, and active involvement in the real estate community. With over 30 years of experience, I am driven by a commitment to excellence, integrity, and hard work, consistently delivering positive results.

Understanding the profound trust clients place in me, my goal is not merely to close a sale but to build relationships for life. The majority of my business comes from repeat clients and referrals, a testament to the quality and personalized attention each client receives.

My 30 years of experience in the real estate industry have been marked by a relentless pursuit of knowledge, a commitment to ethical practices, and a passion for delivering exceptional results.

I look forward to leveraging my expertise to guide you through your real estate journey".

**The World of Real Estate
is a phone call away.**



Rachel Dunham, CCIM

rachel@rachelinvest.com



LUXURY



Development | Leasing | Investment Sales | Asset Management | Tenant Representation